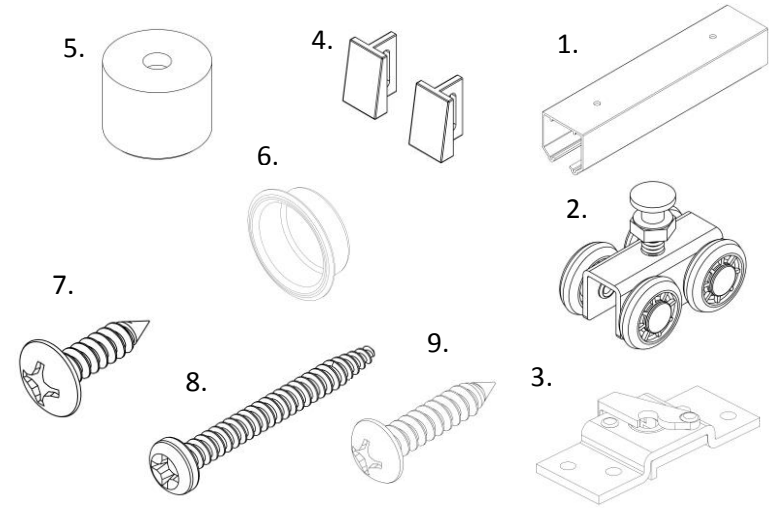
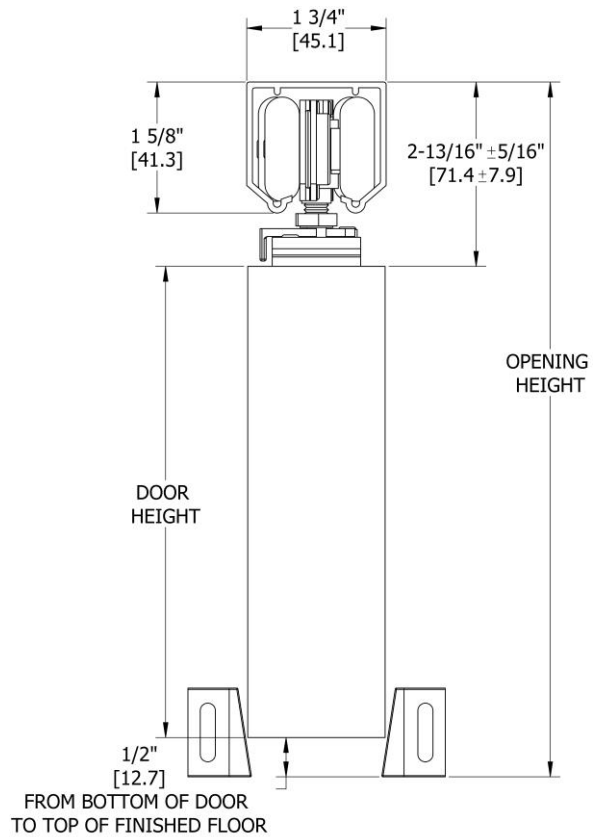
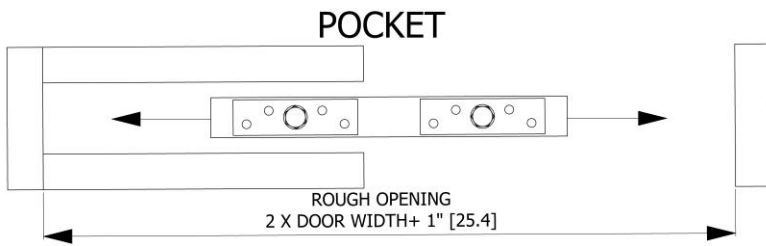


CONTENTS	9878	
1. TRACK (9801)	1	
2. CARRIER (9827)	2	
3. QUICK RELEASE PLATE (9610)	2	
4. DOOR GUIDE SET (9883)	1	
5. BUMPER KIT (9881)	1	
6. PULL (SOLD SEPERATLY)	1	
7. #8 X 3/4" PPHS	1	
8. #8 X 1-1/2" PPHS	16	
9. #8 X 5/8" TPHS	2	

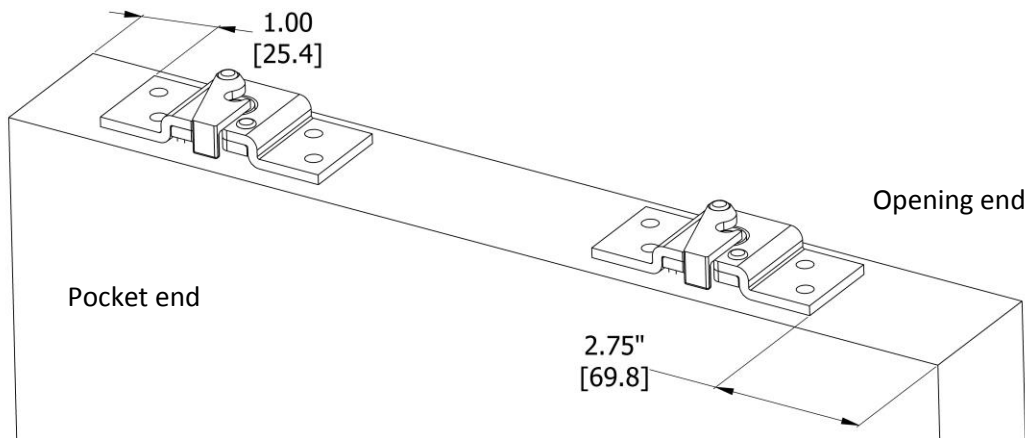
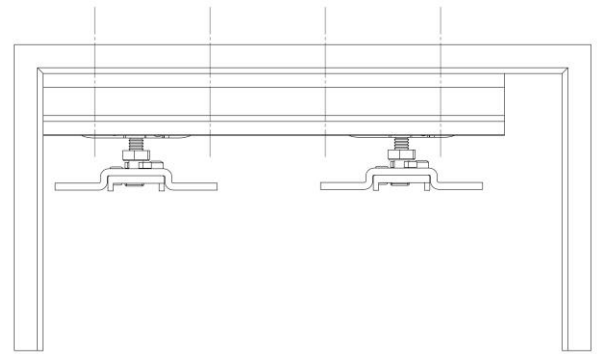
1 PREPARE OPENING

OPENING HEIGHT MAX = DOOR HEIGHT + 3-1/2"
 OPENING HEIGHT MIN = DOOR HEIGHT + 2-1/4"



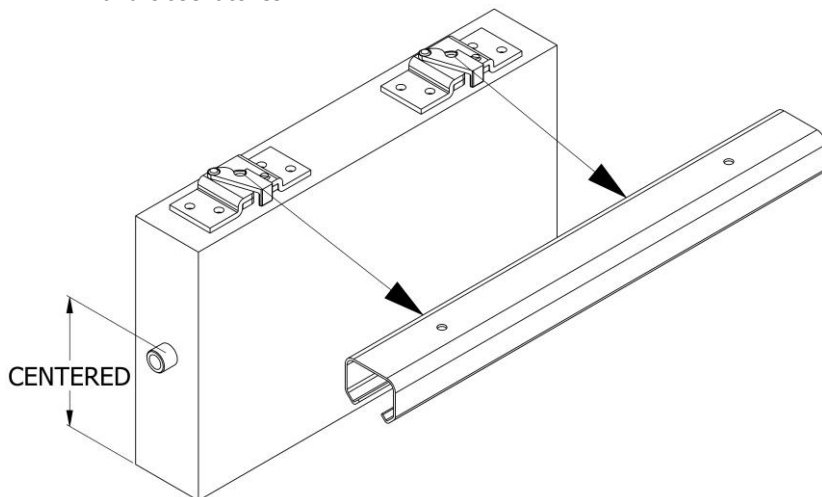
2 INSTALL TRACK AND HARDWARE

- Center track in opening, Secure with (#8 X 1-1/2") screws
- Leave a 1" gap between opening end of track and door frame to allow for removal of carriers
- Center quick release plates on door thickness
- Mount pocket plate edge 1" from pocket door edge
- Mount opening plate edge 2-3/4" from opening door edge
- Secure carriers onto door with (#8 X 1-1/2") screws
- Secure bumper centered on inside edge of door



3 HANG DOORS

- Open quick release latches on brackets and slide door onto carriers and close latches.



4 ADJUST AND FINISH

- Adjust carriers so door is square with frame
- Drill proportional sized hole to install pull (OPTIONAL)
- Install door guides outside of finished trim at base of door.

